

Dolomitenblick
 Range number 234567
 Serial number 000000

Service hotlines
 Switzerland 0800 63 68 79
 Germany 0800 63 68 797
 Austria 0800 50 10 88

Overall statistics

Energy consumption

The total monthly energy consumption summarizes the energy consumption of the entire stove system (incl. sockets).

Monthly consumption 279 kWh
 Daily average 9 kWh

Power peak

The power peak indicates when the power consumption of the entire stove system was at its highest.

Value 19 kW
 Date 08.01.2025
 Time 11:00

Hours of operation

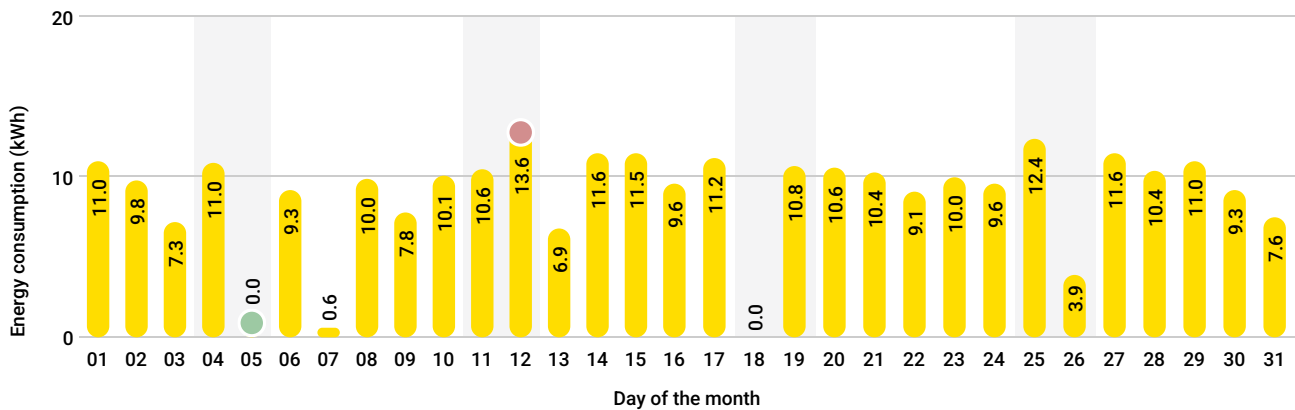
The operating hours record the cumulative time in which at least one a device was used.

Since initial operation 848 hours
 this year in the reporting month 206 hours
 reporting month 206 hours

Energy consumption

The graph shows the energy consumption of the entire stove system per day. Weekends are highlighted in gray.

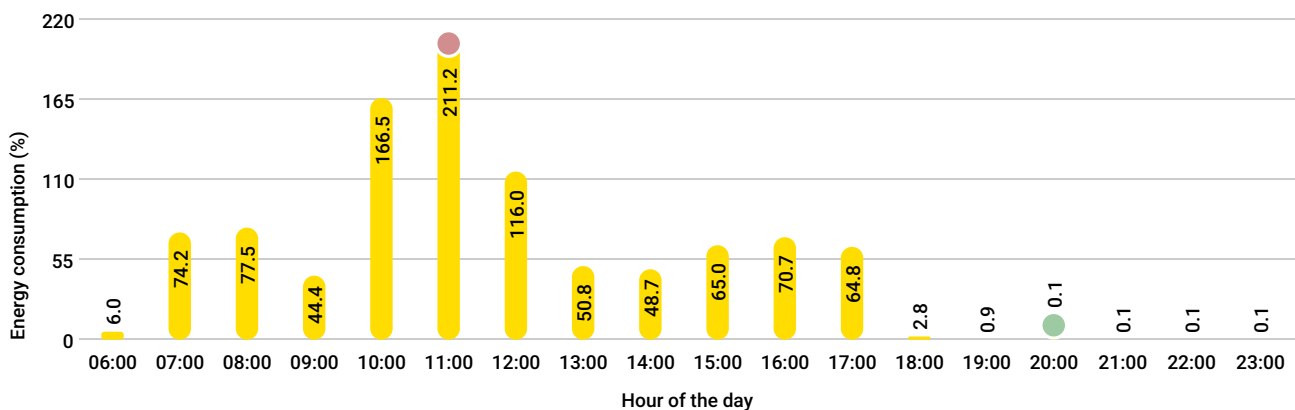
- Lowest energy consumption
- Highest energy consumption



Average energy consumption over the course of a day

Under the indicated time of 12:00 the average energy consumption between 12:00 pm and 1:00 pm is shown. Only days when appliances are used are included.

- Lowest energy consumption
- Highest energy consumption



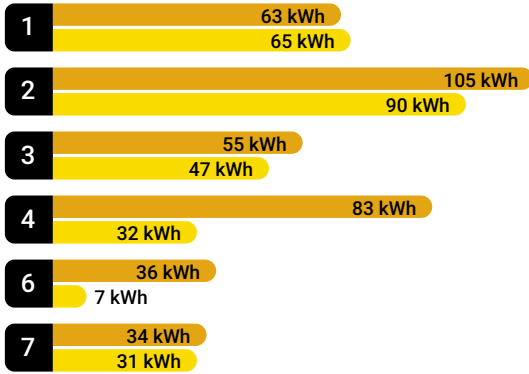
APPLIANCE FACTS AND FIGURES

Equipment energy consumption

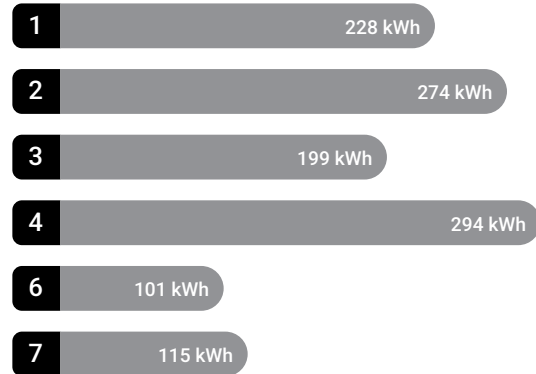
The graphic shows the energy consumption of each Celsius Black induction appliance. The appliance number is used to identify the appliance in the cooking suite layout and in the key.

- In the previous month
- In the reporting month

Monthly comparison



Since initial operation

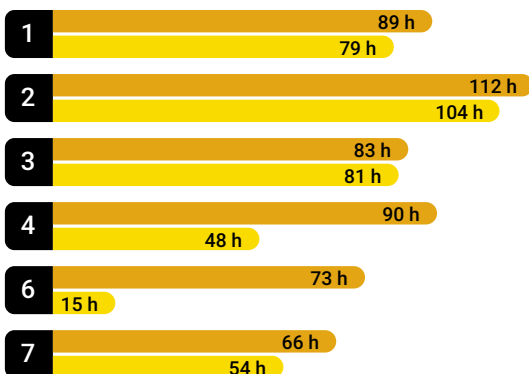


Equipment operating hours

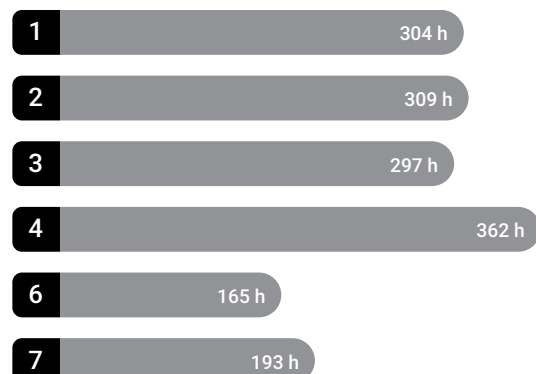
The graphic shows the operating hours of each Celsius Black induction appliance. The appliance number is used to identify the appliances in the cooking suite layout and in the key.

- In the previous month
- In the reporting month

Monthly comparison



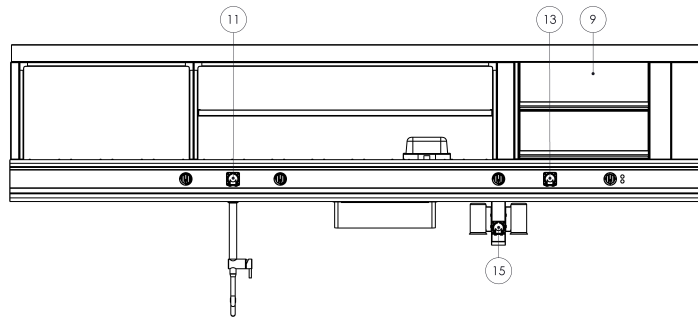
Since initial operation



COOKING SUITE LAYOUT

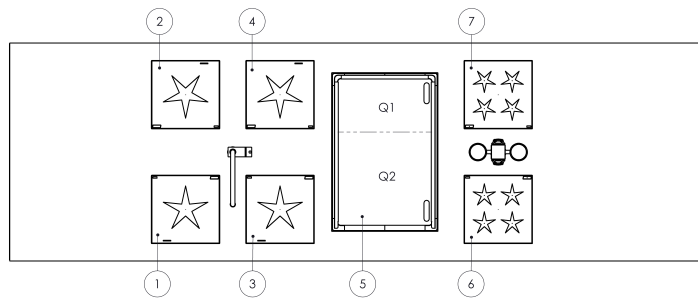
Rear view

Technical view of the cooking suite overhead from behind. Shows the side at the upper part of the view from above.



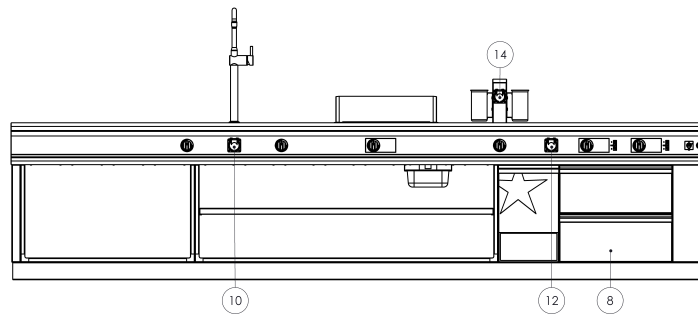
View from above

View of the cooking suite from above. Descriptions of the appliances can be found in the key.



Front view

View of the cooking suite from the front. Shows the side at the lower part of the view from above.



APPLIANCES KEY

The appliance number is used to identify the appliances in the cooking suite layout and in the graphics showing their use. The respective designations and power ratings can be found in the appliance descriptions.

Appliance no.	Description
1	Power induction hob, 392x392 mm, 6 kW, Slide Control
2	Power induction hob, 392x392 mm, 6 kW, Slide Control
3	Power induction hob, 392x392 mm, 6 kW, Slide Control
4	Power induction hob, 392x392 mm, 6 kW, Slide Control
6	Full-coverage large induction hob, 392x392 mm, 9 kW
7	Full-coverage large induction hob, 392x392 mm, 9 kW
8	2x Cook & Hold Schublade, 650x500x560

Appliance no.	Description
9	Warming cabinet, 900x650 mm, operated on one side, 2 drawers
10	Power outlet type 13
11	Power outlet type 13
12	Power outlet type 13
13	Power outlet type 13
14	Power outlet type 13
15	Power outlet type 13